



RETRO SERIES USER GUIDE

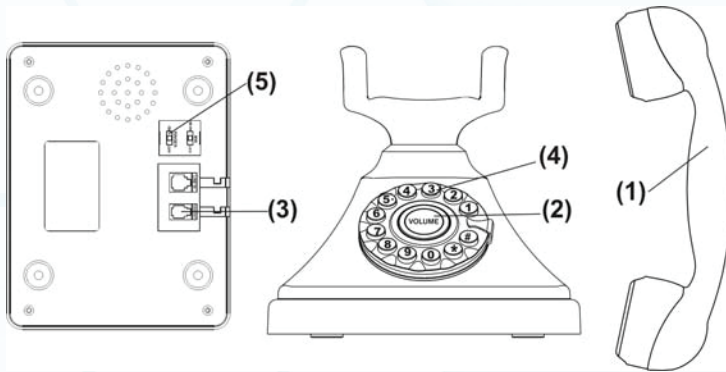
Retro Desk, Retro Wall

Table of Contents

Retro Series Phone Map	3	Calling	5
Parts List	4	Placing a Call Using the Handset	5
Care and Maintenance	4	Receiving a Call Using the Handset.....	5
Features	4	Service	5
Installation	4	Statement of Limited Warranty	5
Caution Information	4	Important Safety Instructions	6
Connecting the Handset Cord	4	FCC Interference Information.....	7
Connecting the Line Cord.....	4	FCC RF Radiation Exposure Statement.....	7
Switch Settings	4	Industry of Canada Requirements.....	7
Ringer Volume Switch.....	4	Requirements of Part 15—FCC Rules	8
Operation	4	Requirements of Part 68—FCC Rules	9
Volume	4		
Handset Volume Control	4		

Retro Series Phone Map

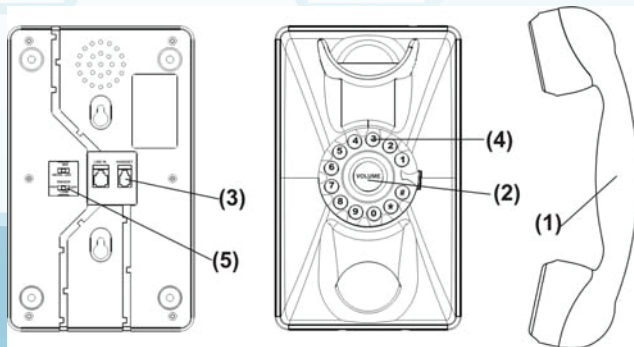
DESK MOUNT VERSION



BASE FEATURES AND CONTROLS

1. Handset
2. Handset Volume Control
3. Handset Jack
4. Dial Pad
5. Ringer Controls

WALL MOUNT VERSION



Parts List

The following parts are included in this package:

- 12-foot 4P4C modular telephone line cord
- 10-foot modular coiled handset cord
- 3-inches 6p4c wall mount line (Retro Wall only)
- Base unit
- Handset

Care and Maintenance

- **Keep the telephone dry.** If it gets wet, wipe it dry immediately. Liquids might contain minerals that can corrode the electronic circuits.
- **Use and store the telephone in a normal temperature environment.** Temperature extremes can shorten the life of electronic devices and distort or melt parts.
- **Keep the telephone away from excessive dust and dirt** that can cause premature wear of parts.
- **Wipe the telephone with a damp cloth** occasionally to keep it looking new. Do not use harsh chemicals, cleaning solvents, or strong detergents to clean the system.

Features

- Retro-looking design
- One-line
- DTMF tone dialing
- Handset volume control button
- Desk or wall-mount versions available
- Fully modular, easy to install

Installation

CAUTION INFORMATION

- Never install telephone or network wiring during a lightning storm.
- Never install telephone or Ethernet jacks in wet locations unless the jack is specifically designed for wet locations.

- Never touch uninstalled telephone wires or terminals unless the telephone line has been disconnected at the network interface.
- Use caution when installing or modifying telephone and network lines.

CONNECTING THE HANDSET CORD

A 10-foot modular coil handset cord is provided. To install, simply plug one end of the handset cord into the modular jack on the handset. The remaining end of the handset cord plugs into the jack labeled Handset located on the back side of the base unit.

CONNECTING THE LINE CORD

A 12-foot modular line cord is provided. To install, simply plug one end of the line cord into the modular jack located on the back of the base unit. The remaining end of the line cord plugs into the wall jack.

Switch Settings

RINGER VOLUME SWITCH

A ringer volume switch is located on the back side of the telephone base (Retro Wall & Retro Desk). Ringer volume selections are HI, LOW or OFF.

Operation

VOLUME

HANDSET VOLUME CONTROL

The handset volume control increases the volume of the handset.

When the handset is off hook, press the volume control button to increase the handset volume. The volume control button has UP and DOWN arrows to increase or decrease the volume. The volume can be adjusted in eight steps.

The Retro Series is ADA hearing aid compatible (12dB–15 dB).

CALLING

PLACING A CALL USING THE HANDSET

- Lift the handset (off-hook position).
- Dial out by using the numeric dial pad.

RECEIVING A CALL USING THE HANDSET

- Lift the handset when ringing.

Service

Cetis, Inc., is the manufacturer of Scitec, Teledex, and TeleMatrix brand guest room telephones.

When problems arise that cannot be resolved using this or related documents, please go to www.telematrix.net/support for information about customer support, technical support, warranty, and product returns.

Statement of Limited Warranty

TELEMATRIX, INC. warrants to its [original end customer] [purchaser] that Spectrum PLUS, Marquis and RETRO branded products manufactured by TELEMATRIX, INC. are free from defects in materials and workmanship for five (5) years after the date of purchase, products manufactured by TELEMATRIX, INC. are free from defects in materials and workmanship for three (3) years, other than the following products for which the warranty period shall be one (1) year: handset batteries, either NiCd or NiMH, used in TELEMATRIX, INC. cordless products. If a product fails this warranty during the warranty period, TELEMATRIX, INC. will, at its option, either repair or replace the defective product or parts, or deliver replacements for defective products or parts on an exchange basis at no additional charge to the customer except as set forth below. Repair

parts or replacement products may be either new or reconditioned. Products or parts returned to TELEMATRIX, INC. under this warranty will become the property of TELEMATRIX, INC. Warranties on products repaired by TELEMATRIX, INC. expire at the termination of the original warranty period.

This limited warranty does not cover

1. Products or parts which are damaged, abused or misused;
2. Any damage resulting from improper installation, maintenance or operation of the product;
3. Damage resulting from unauthorized modification or repair of the product, or from improper connection of the product to other equipment;
4. Cords, connectors and replaceable batteries;
5. Damage in transit to the TELEMATRIX, INC. repair facility;
6. Any product or part unless proof of date of purchase is submitted with the product when returned for warranty repair; or
7. Costs incurred by the customer in removing and shipping the product to TELEMATRIX, INC. for repair or replacement, and costs of reinstallation of the product.
8. Products or parts which are not owned and used by the original end user customer.

The cost and risk of loss or damage for sending the product to TELEMATRIX, INC. will be borne by the customer.

TELEMATRIX, INC. EXPRESSLY DISCLAIMS ALL WARRANTIES EXCEPT THE LIMITED WARRANTY SET FORTH HEREIN, WHICH IS THE SOLE AND EXCLUSIVE WARRANTY OF THE PRODUCT, AND IS IN LIEU OF ALL OTHER WARRANTIES, WHETHER ORAL OR WRITTEN, EXPRESS OR IMPLIED, OR STATUTORY. THERE ARE NO IMPLIED WARRANTIES OF MERCHANTABILITY

OR FITNESS FOR A PARTICULAR PURPOSE. THE CUSTOMER'S SOLE REMEDY UNDER THE TELEMATRIX, INC. WARRANTY SHALL BE REPAIR OR REPLACEMENT AS PROVIDED ABOVE. IN NO EVENT WILL TELEMATRIX, INC. BE LIABLE TO CUSTOMER OR ANY OTHER PARTY FOR ANY INDIRECT, INCIDENTAL OR CONSEQUENTIAL DAMAGES, INCLUDING, WITHOUT LIMITATION, DAMAGES OF LOST PROFITS, LOST REVENUES, LOSS OF USE OF FACILITIES OR EQUIPMENT, OR COST OF SUBSTITUTE EQUIPMENT ARISING OUT OF THE USE OR INABILITY TO USE THIS PRODUCT, EVEN IF THE CUSTOMER HAS ADVISED TELEMATRIX, INC. OF THE POSSIBILITY OF SUCH DAMAGES. TELEMATRIX, INC. LIABILITY FOR DAMAGES SHALL NOT EXCEED THE PURCHASE PRICE OF THE DEFECTIVE PRODUCT.

This limited warranty is non-transferable without the prior written approval of TELEMATRIX, INC. It gives the customer specific legal rights. The customer may have other rights which vary under local law. Some jurisdictions may not allow limitations on the term of an implied warranty or exclusions or limitations of incidental or consequential damages.

Important Safety Instructions

When using your telephone equipment, basic safety precautions should always be followed to reduce the risk of fire, electric shock, and injury to persons, including the following:

1. Read and understand all instructions.
2. Follow all warnings and instructions marked on the product.
3. Unplug the product from the wall outlet before cleaning. Do not use liquid cleaner or aerosol cleaners. Use a damp cloth for cleaning.
4. Do not use this product near water—for example, near a bathtub, wash bowl,

kitchen sink or laundry tub, in a wet basement, or near a swimming pool.

5. Do not place this product on an unstable cart, stand, or table. The product may fall, causing serious damage to the product.
6. Slots and openings in the cabinet and the back or bottom are provided for ventilation, to protect it from overheating. These openings must not be blocked or covered. The openings should never be blocked by placing the product on the bed, sofa, rug, or any other similar surface. This product should never be placed near or over a radiator or heat register. This product should not be placed in a built-in installation unless proper ventilation is provided.
7. Never push objects of any kind into this product through cabinet slots as they may touch dangerous voltage points or short out parts that could result in a risk of fire or electric shock. Never spill liquid of any kind on the product.
8. To reduce the risk of electric shock do not disassemble this product. Take it to a qualified service facility if service or repair work is required. Opening or removing covers may expose you to dangerous voltages or other risks. Incorrect reassembly can cause electric shock when the appliance is subsequently used.
9. Unplug this product from the wall outlet and refer servicing to qualified service personnel under the following conditions:
 - When the power supply cord or plug is damaged or frayed.
 - If liquid has been spilled into the product.
 - If the product has been exposed to rain or water.
 - If the product does not operate normally by following the operating instructions.

Adjust only those controls that are covered by the operating instructions, as improper adjustment of other controls may result in damage and may require extensive work by a qualified technician to restore the product to normal operation.

- If the product has been dropped or the cabinet has been damaged.
 - If the product exhibits a distinct change in performance.
10. Avoid using a telephone (other than a cordless type) during an electrical storm. There may be a remote risk of electric shock from lightning.
 11. Do not use the telephone to report a gas leak in the vicinity of the leak.

PLEASE SAVE THESE INSTRUCTIONS.

FCC Interference Information

This device complies with Part 15 of the FCC Rules. Operation is subject to the following two conditions:

1. This device may not cause harmful interference.
2. This device must accept any interference received, including interference that may cause undesired operation.

This equipment has been tested and found to comply with the limits for a Class B digital device, pursuant to Part 15 of the FCC Rules. These limits are designed to provide reasonable protection against harmful interference in a residential installation. This equipment generates, uses, and can radiate radio frequency energy and, if not installed and used in accordance with the instructions, may cause harmful interference to radio communications. However, there is no guarantee that interference will not occur in a particular installation.

If this equipment does cause harmful interference to radio or television reception, which can be determined by turning the equipment off and on, the user is encouraged to try to correct the interference by one or more of the following measures:

- Reorient or relocate the receiving antenna for the radio or television that is receiving the interference).
- Reorient or relocate and increase the separation between the telecommunications equipment and receiving antenna.
- Connect the telecommunications equipment into an outlet on a circuit different from that to which the receiving antenna is connected.

FCC RF Radiation Exposure Statement

The installation of the base unit should allow at least 20 centimeters between the base and persons to be in compliance with FCC RF exposure guidelines. For body-worn operation, the portable part (handset) has been tested and meets FCC RF exposure guidelines.

This device must not be co-located or operating in conjunction with any other antenna or transmitter. The changes or modifications not expressly approved by the party responsible for compliance could void the user's authority to operate the equipment.

Industry of Canada Requirements

Note: This equipment meets the applicable Industry Canada Terminal Equipment Technical Specifications. This is confirmed by the registration number. The abbreviation, IC, before the registration number signifies that registration was performed based on a Declaration of Conformity indicating that Industry Canada technical specifications were met. It does not imply that Industry Canada approved the equipment.

Before installing this equipment, users should ensure that it is permissible to be connected to the facilities of the local telecommunications company. The equipment must also be installed using an acceptable method of connection. The customer should be aware that compliance with the above conditions may not prevent degradation of service in some situations.

Repairs to certified equipment should be coordinated by a representative designated by the supplier. Any repairs or alterations made by a user to this equipment, or equipment malfunctions, may give the telephone communications company cause to request the user to disconnect the equipment.

Users should ensure for their own protection, that the electrical ground connections of the power utility, telephone lines, and internal metallic water pipe system, if present, are connected together. This precaution may be particularly important in rural areas.

Caution: Users should not attempt to make such connections themselves, but should contact the appropriate electric inspection authority, or electrician, as appropriate.

Notice: The Ringer Equivalence Number (REN) assigned to each terminal device provides an indication of the maximum number of terminals allowed to be connected to a telephone interface. The termination on an interface may consist of any combination of devices subject only to the requirement that the sum of the Ringer Equivalence Numbers of all the devices does not exceed 5.

REN: Z

For warranty and service in Canada, please contact:

Williams Telecommunications
5610 Kennedy Road
Mississauga, Ontario, L4Z2A9
Canada
Phone: 905-712-4242
Fax: 905-712-1754

Requirements of Part 15— FCC Rules

Note: This equipment has been tested and found to comply with the limits for a Class B digital device, pursuant to Part 15 of the FCC Rules. These limits are designed to provide reasonable protection against harmful interference in a residential installation. This equipment generates, uses, and can radiate radio frequency energy and, if not installed and used in accordance with the instructions, may cause harmful interference to radio communications. However, there is no guarantee that interference will not occur in a particular installation. If this equipment does cause harmful interference to radio or television reception, which can be determined by turning the equipment off and on, the user is encouraged to try to correct the interference by one or more of the following measures:

1. Move the telephone away from the receiver.
2. Consult the dealer or an experienced radio/TV technician for help.

Any changes made by the user not approved by the manufacturer can void the user's authority to operate the telephone.

Requirements of Part 68— FCC Rules

This equipment complies with Part 68 of the FCC Rules and the requirements adopted by ACTA. On the bottom of this telephone is a label that contains, among other information, a product identifier in the format US:AAAEQ##TXXXX. If requested, this number must be provided to the telephone company. The USOC Jack for this equipment is RJ11C.

A plug and jack used to connect this equipment to the premises wiring and telephone network must comply with the applicable FCC Part 68 rules and requirements adopted by ACTA. A compliant telephone cord and modular plug are provided with this telephone. It is designed to be connected to a compatible modular jack that is also compliant. See installation instructions for details.

The Ringer Equivalence Number (REN) is used to determine the number of devices that may be connected to a telephone line. Excessive RENs on a telephone line may result in the devices not ringing in response to an incoming call. In most but not all areas, the sum of RENs should not exceed five (5.0). To be certain of the number of devices that may be connected to a line, as determined by the total RENs, contact the local telephone company. For products approved after July 23, 2001, the REN for this product is a part of the product identifier that has the format US:AAAEQ##TXXXX. The digits represented by ## are the REN without a decimal point (e.g., 03 is a REN of 0.3). For earlier products, the REN is separately shown on the label.

If this telephone causes harm to the telephone network, the telephone company will notify you in advance that temporary discontinuance of service may be required. But if advance notice is

not practical, the telephone company will notify the customer as soon as possible. Also, you will be advised of your right to file a complaint with the FCC if you believe it is necessary.

The telephone company may make changes in its facilities, equipment, operations, or procedures that could affect the operation of the equipment. If this happens, the telephone company will provide advance notice in order for you to make the necessary modifications to maintain uninterrupted service.

If trouble is experienced with this equipment, for repair or warranty information, please contact Teledex at (800) 462-9446. If the equipment is causing harm to the telephone network, the telephone company may request that you disconnect the equipment until the problem is resolved.

There are no user-serviceable parts contained in this equipment.

Connection to party line service is subject to state tariffs. Contact the state public utility commission, public service commission, or corporation commission for information.

If your home has specially wired alarm equipment connected to the telephone line, ensure the installation of this product does not disable your alarm equipment. If you have questions about what will disable alarm equipment, consult your telephone company or a qualified installer.

This telephone is hearing aid compatible.

These telephone devices are intended for commercial use only, primarily in hotel guestrooms. They must be used with a PBX (private branch exchange), and are not intended to be connected directly to a PSTN line (public switched telephone network). There are no user-serviceable parts inside the equipment.



Toll Free: +1.800.462.9446

Tel: +1.719.638.8821

Email: info@telematrix.net

www.telematrix.net